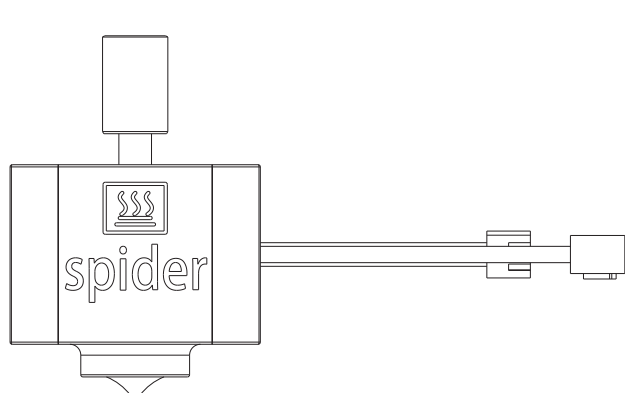


Ender-3 S1 高流量套件说明书 Ender-3 S1 High Flow Kit Manual

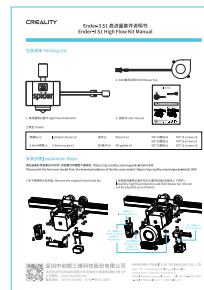
包装清单 Packing List



1. 高流量喷头套件 High Flow Hotend Kit



2. 5015鼓风机 5015 Blower Fan



3. 说明书 User manual

工具包 Toolkit

隔离柱 x2	Isolated column x2	扳手x2	Wrench x2	M3*14螺丝x4	M3*14 screws x4
0.6mm喷嘴 x1	0.6mm nozzle x1	M3垫片x4	M3 gasket x4	M3*20螺丝x2	M3*20 screws x2
				M2*12螺丝x2	M2*12 screws x2

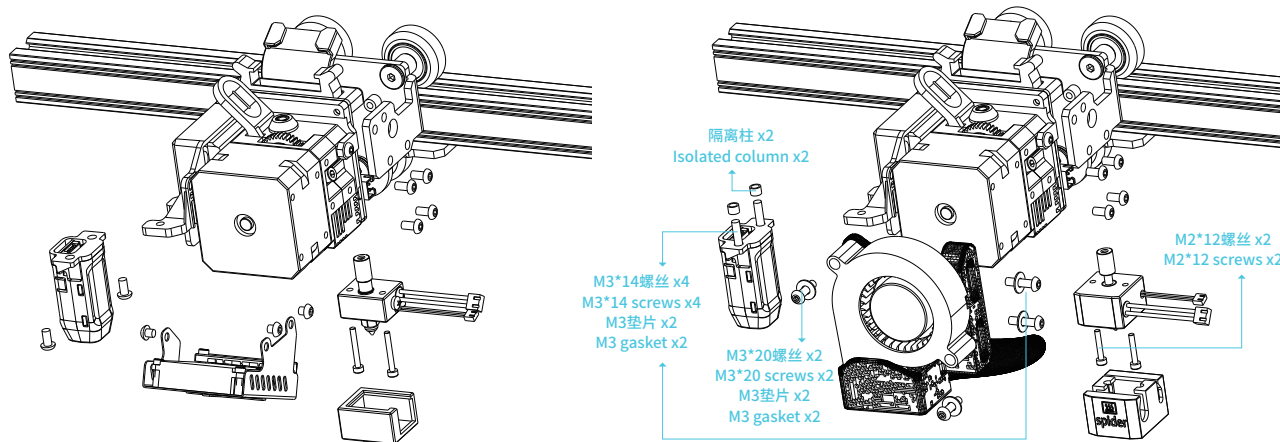
安装步骤 Installation Steps

请先准备好风扇罩3D打印件, 风扇罩打印模型下载地址: <https://vip.creality.com/en/goods-detail/1840>

Please print the fan cover model first, the download address of the fan cover model: <https://vip.creality.com/en/goods-detail/1840>

1. 拆下原装喷头及风扇。Remove the original hotend and fan.

2. 安装高流量喷头套件及5015鼓风机 (风扇可上下调节)。Install the high flow hotend kit and 5015 blower fan (the fan can be adjusted up and down).



深圳市创想三维科技股份有限公司

深圳市龙华区民治街道新牛社区梅龙大道锦绣鸿都大厦18F
公司网站: www.cxsw3d.com
服务热线: 400 6133 882 0755-8523 4565

SHENZHEN CREALITY 3D TECHNOLOGY CO., LTD.

Add : 18F, JinXiuHongDu Building, Meilong Blvd.,
Longhua Dist., Shenzhen, China 518131
Official Website: www.creality.com Tel: +86 755-8523 4565
E-mail: info@creality.com cs@creality.com